

TRAILER BALANCE SPREADSHEET

Instructions

Enter your own data in the boxes with red numbers
Read off results in boxes with blue numbers

Basic measurements

Body length from rear - A	in	120
Hitch center from rear - B		156
Wheel center from rear - C		52

Extra weight measurements

Extra weight 1 from rear - D1	in	0
Extra weight 2 from rear - D2		0
Extra weight 3 from rear - D3		0

Basic Weights

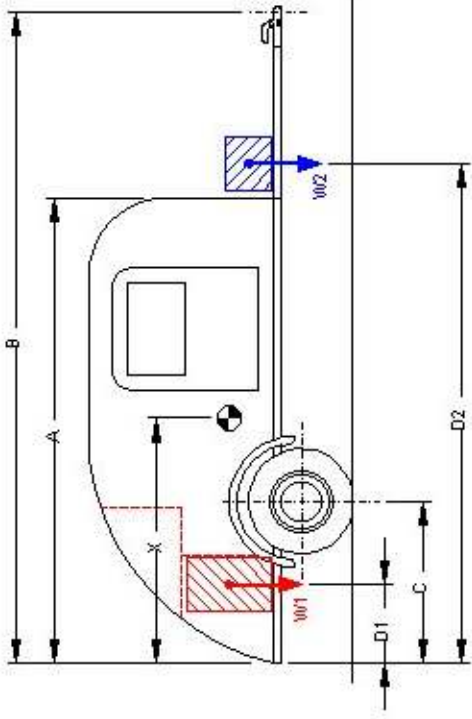
Basic trailer weight	lb	1000
Weight of tongue		50
Weight of axle/suspension		120
Body weight (total - tongue - axle)		830
	% of Basic	100%
		5.0%
		12.0%
		83.0%

Extra Weights (not included in Basic)

Extra weight 1	lb	0
Extra weight 2		0
Extra weight 3		0

Results

Total trailer weight, lb	1000	
LCG from rear - X, in	62.9	% of Total
Weight on axle, lb	895	89.5%
Weight on each wheel, lb	447	
Weight on hitch, lb	105	10.5%



Lever about rear, in	Moment about rear, in-lb
138	6900
52	6240
60	49800

0	0
0	0
0	0

62940